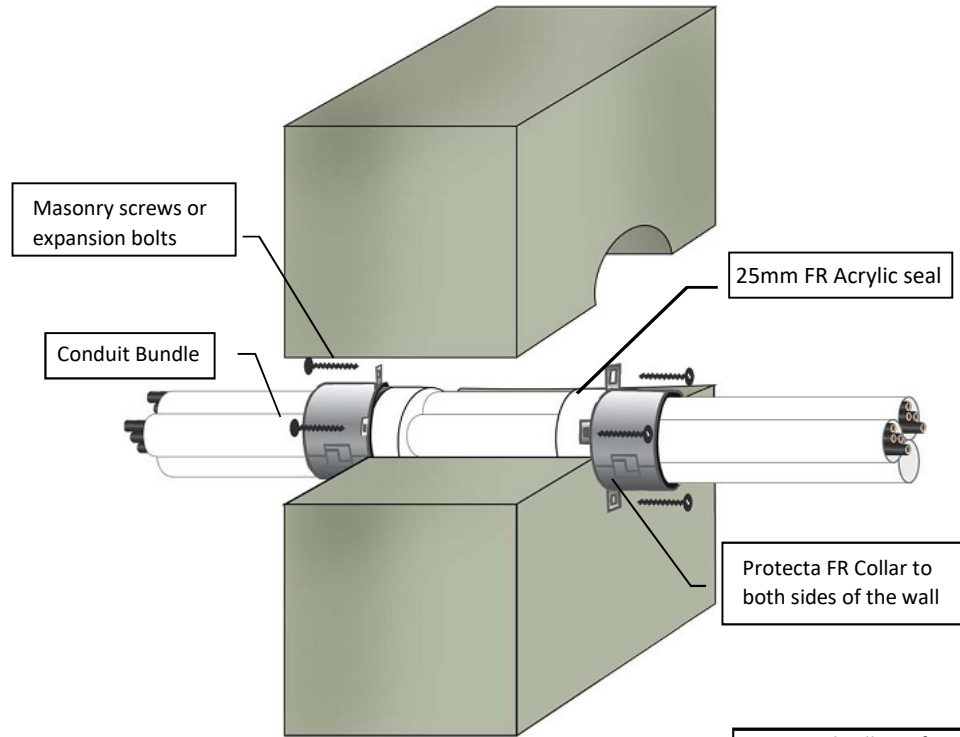


Protecta FR Collar - 100mm Concrete Wall Conduits - Single or Bundled

Installation Instructions

1. For sealing conduits, a pipe collar is installed on both sides of the wall.
2. Before fitting the pipe collar ensure that any gaps between the conduits and the separating element are sealed. Gaps between the conduits and the construction below 8mm must have a bead of Protecta FR Acrylic to cover the opening, and for gaps 8mm or above, the seal must be plugged with FR Acrylic to a depth of 25mm.
3. Place a pipe collar around the conduits and ensure that the fixing lugs are positioned tightly to the surface of the wall so that the anchors/fixings can be inserted fully.
4. Where the surface is uneven, apply a sealing bead of Protecta® FR Acrylic between the wall and the pipe collar.
5. Attach the pipe collar with masonry screws or expansion bolts that are suitable for the substrate that the collar will be fitted to.
6. On sites where the penetration size is greater than the conduits diameter and/or the conduits are on an angle an oversized collar can be used. Protecta® FR Collars are tested 'oversize', i.e. the internal diameter of the collar can be larger than the conduits.



ZERO smoke leakage up to 200Pa

System/FPA Register ID# FC613

Products	Protecta FR Collar Protecta FR Acrylic
Application	Fire stopping of conduits in rigid walls
Construction	Minimum wall thickness of 100mm and comprise concrete, aerated concrete or masonry, with a density of $\geq 650\text{kg/m}^3$

Fire & Sound classification

Conduits $\leq \varnothing 40\text{mm}$, in a bundle $\leq \varnothing 110\text{mm}$,
with collars $\leq \varnothing 110\text{mm}$ at $\geq 50\text{mm}$ height
FRR -/90/90

Conduits $\leq \varnothing 40\text{mm}$, in a bundle $\leq \varnothing 160\text{mm}$,
with collars $\leq \varnothing 160\text{mm}$ at $\geq 60\text{mm}$ height
FRR -/90/90

Conduits may be rigid or flexible and may be PVC-U, PVC-C, PE, HDPE, PEX, PP or PP-R. A bundle can be any mix of the above and each conduit can be empty, partially or fully filled with all types of insulated cables with copper or aluminium conductors, fibre optic cables and data communication cables up to 21mm diameter.

Sound reduction (seal only) STC 58

As a part of our policy of on-going product development and testing, we reserve the right to modify, alter or change product specifications without giving notice. All information contained in this document is given in good faith and is provided for guidance only. Any drawings provided are for illustrative purposes only. As Polyseam has no control over the methods or competence of installation and of prevailing site conditions, no warranties, expressed or implied, is intended to be given as to the actual performance of the product mentioned or referred to herein and no liability whatsoever will be accepted for any loss, damage or injury arising from the use of the information given.

For all technical details on the products specified please refer to the technical data sheets that can be found on www.firestopcentre.co.nz

Signed and approved:

Sheet size: **A4**
Drawn date & no: **28/7/20**

Scale: **NTS**
Drawn by: **K.B**